



DARK BROWN 201  
BLACK COFFEE 19-1111 TCX

# INSPIRATION

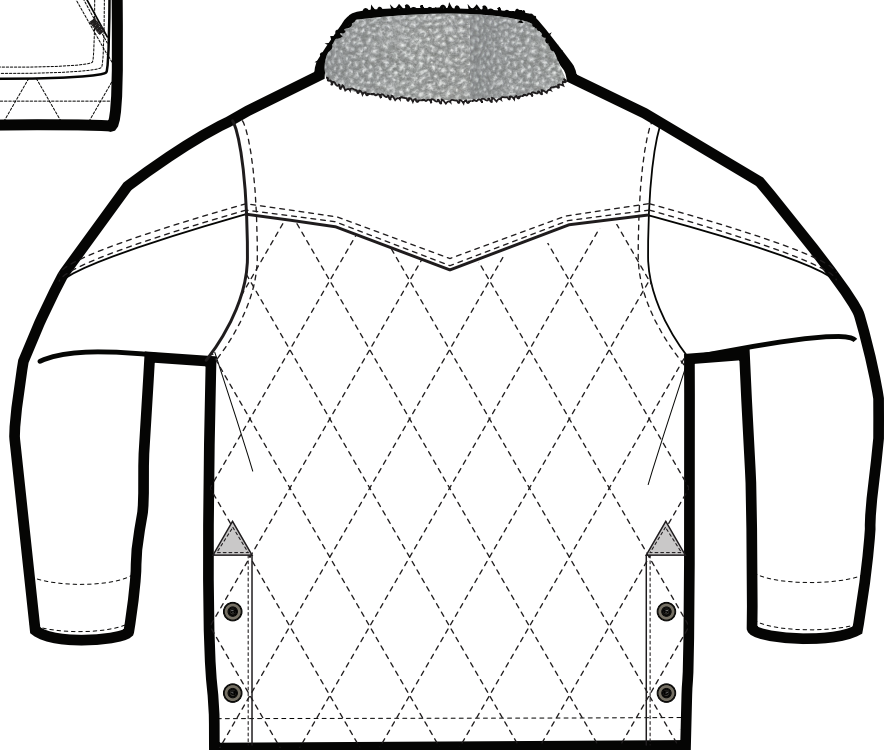
**STYLE:** BRHO24010

**BLOCK REF:**

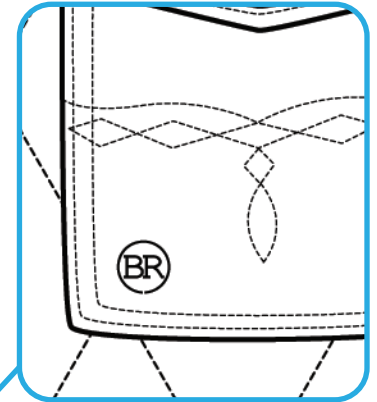
**STYLE NAME:** OGDEN QUILTED HERRINGBONE JKT

**REVISED DATE:** 10/25/23

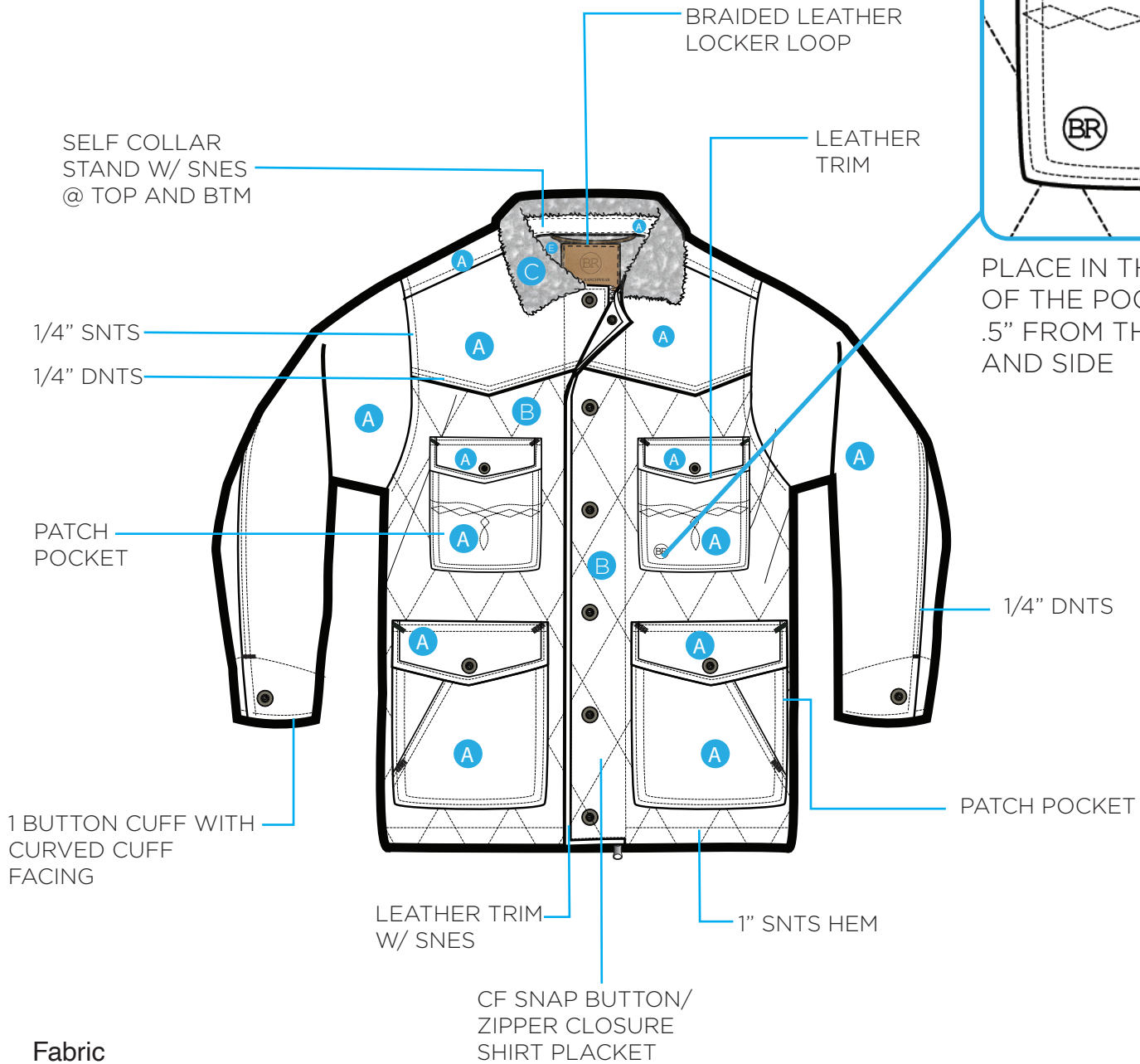




## EMBROIDERY



PLACE IN THE CORNER OF THE POCKET .5" FROM THE BOTTOM AND SIDE

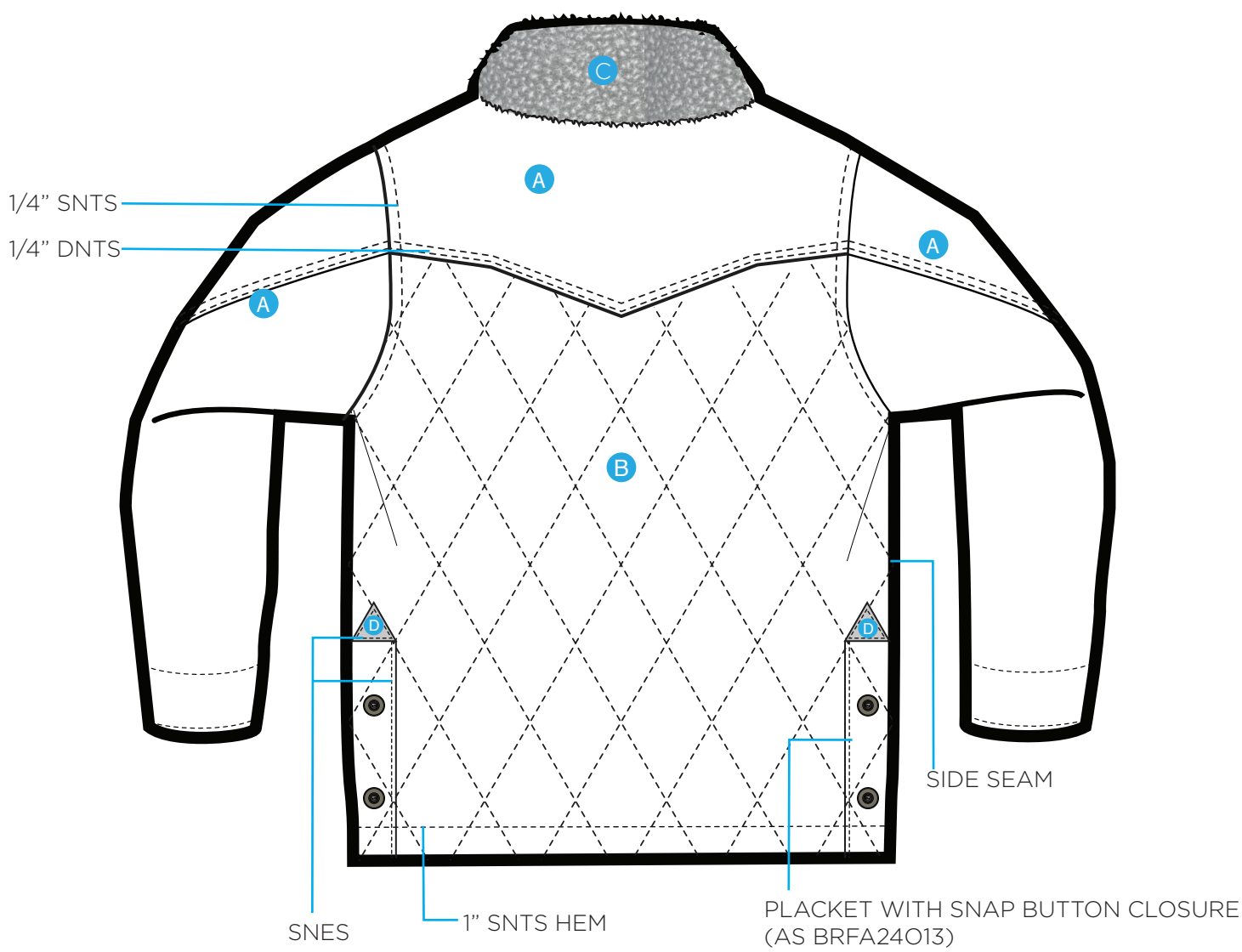


### Fabric

- A** Shell A: WASHED HERRINGBONE
- B** Shell B: QUILTED WASHED HERRINGBONE
- C** Shell C: SHERPA
- D** Shell D: Leather Binding
- E** E: Blanket Flannel

**ALL SEAMS NO TOPSTITCH UNLESS NOTED**





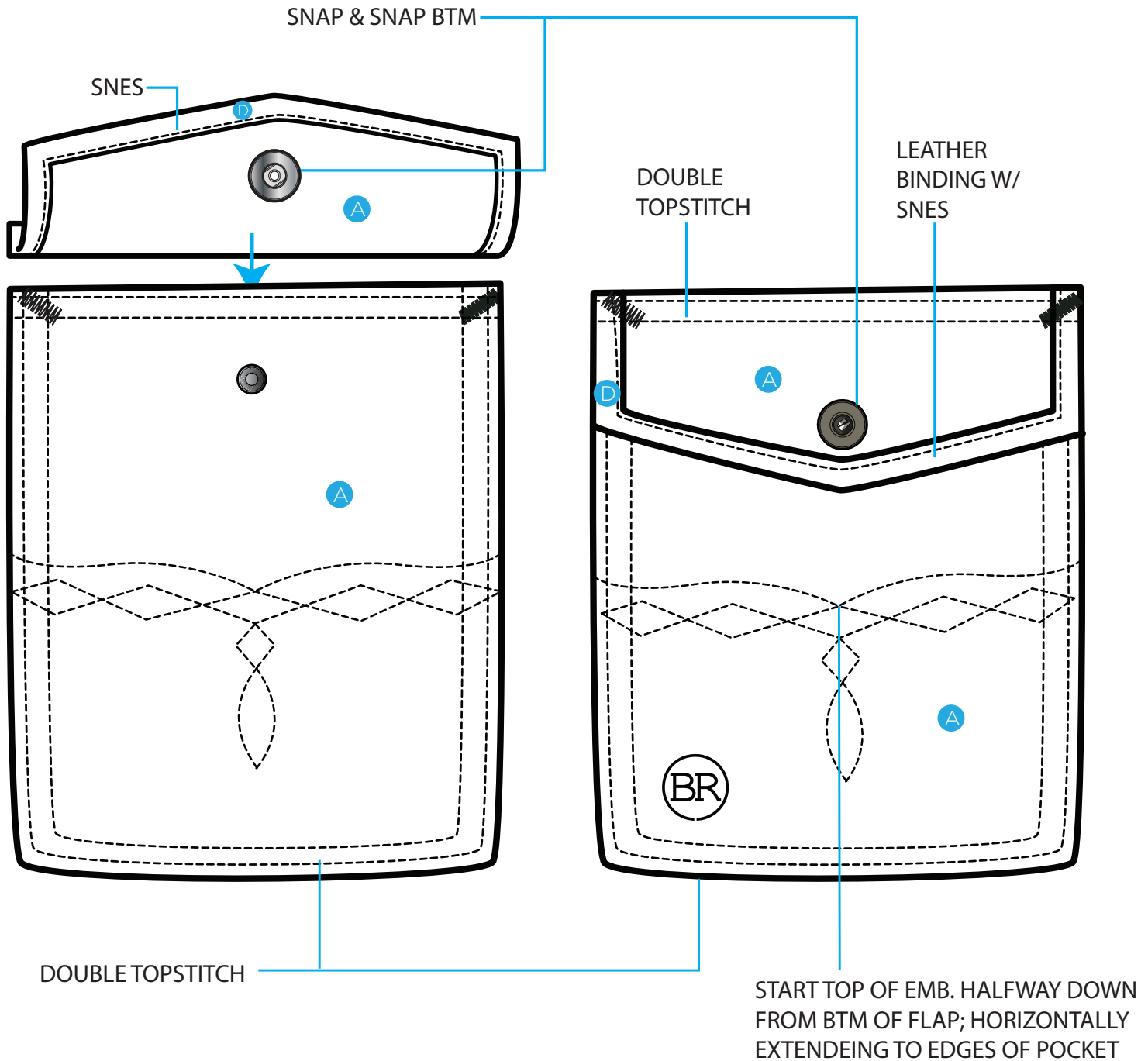
**Fabric**

- A** Shell A: WASHED HERRINGBONE
- B** Shell B: QUILTED WASHED HERRINGBONE
- C** Shell C: SHERPA
- D** Shell D: Leather Binding
- E** E: Blanket Flannel



**ALL SEAMS SEAMS ARE BOUND AND DOUBLE NEEDLE TOPSTITCHED UNLESS NOTED**

APPLY BARTACKS  
AT CORNERS  
MMMMM = BARTACK



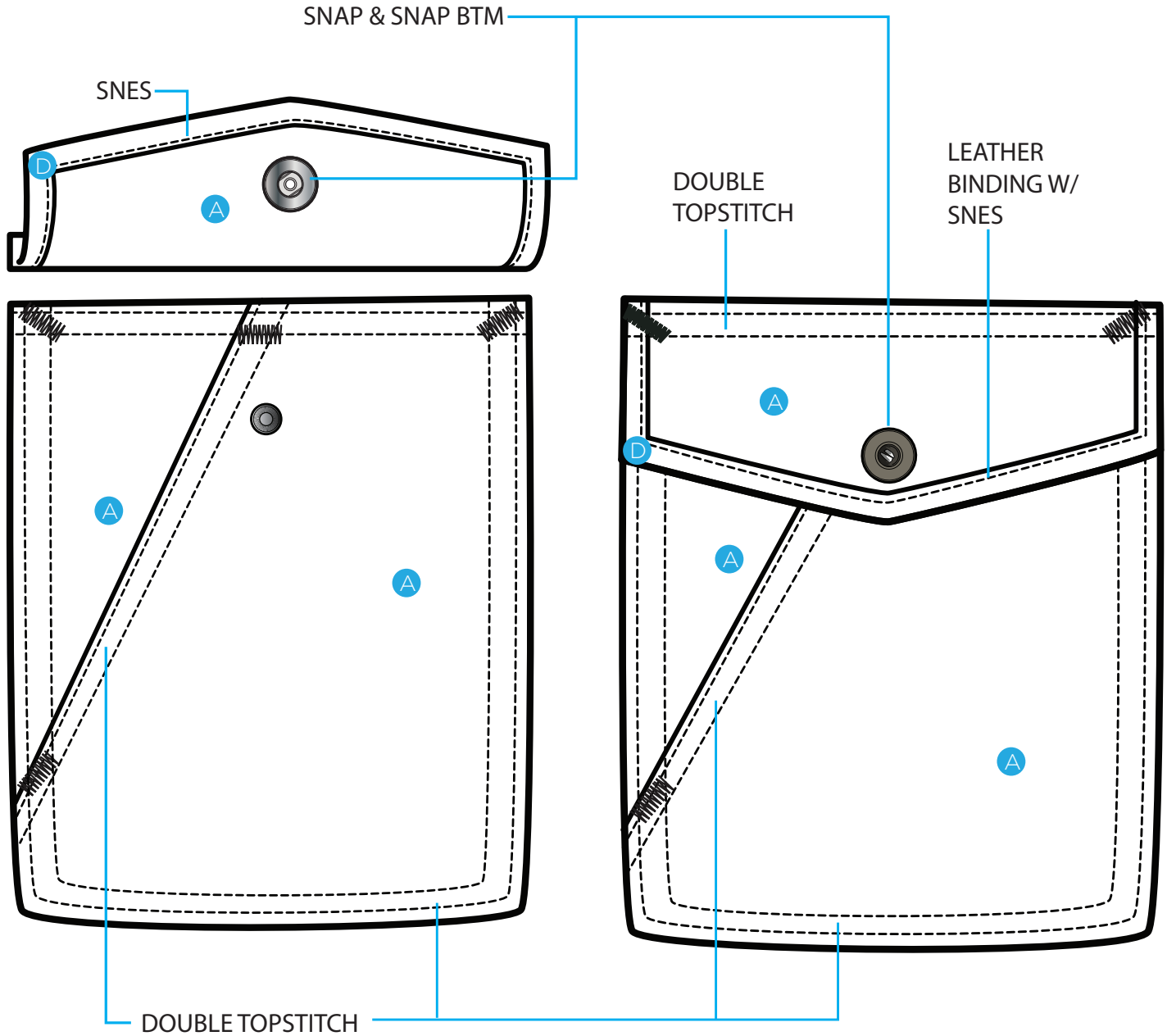
Fabric

- A** Shell A: WASHED HERRINGBONE
- B** Shell B: QUILTED WASHED HERRINGBONE
- C** Shell C: SHERPA
- D** Shell D: Leather Binding
- E** E: Blanket Flannel

**ALL SEAMS SEAMS ARE BOUND AND DOUBLE NEEDLE TOPSTITCHED UNLESS NOTED**

APPLY BARTACKS  
AT CORNERS  
MMMMM = BARTACK

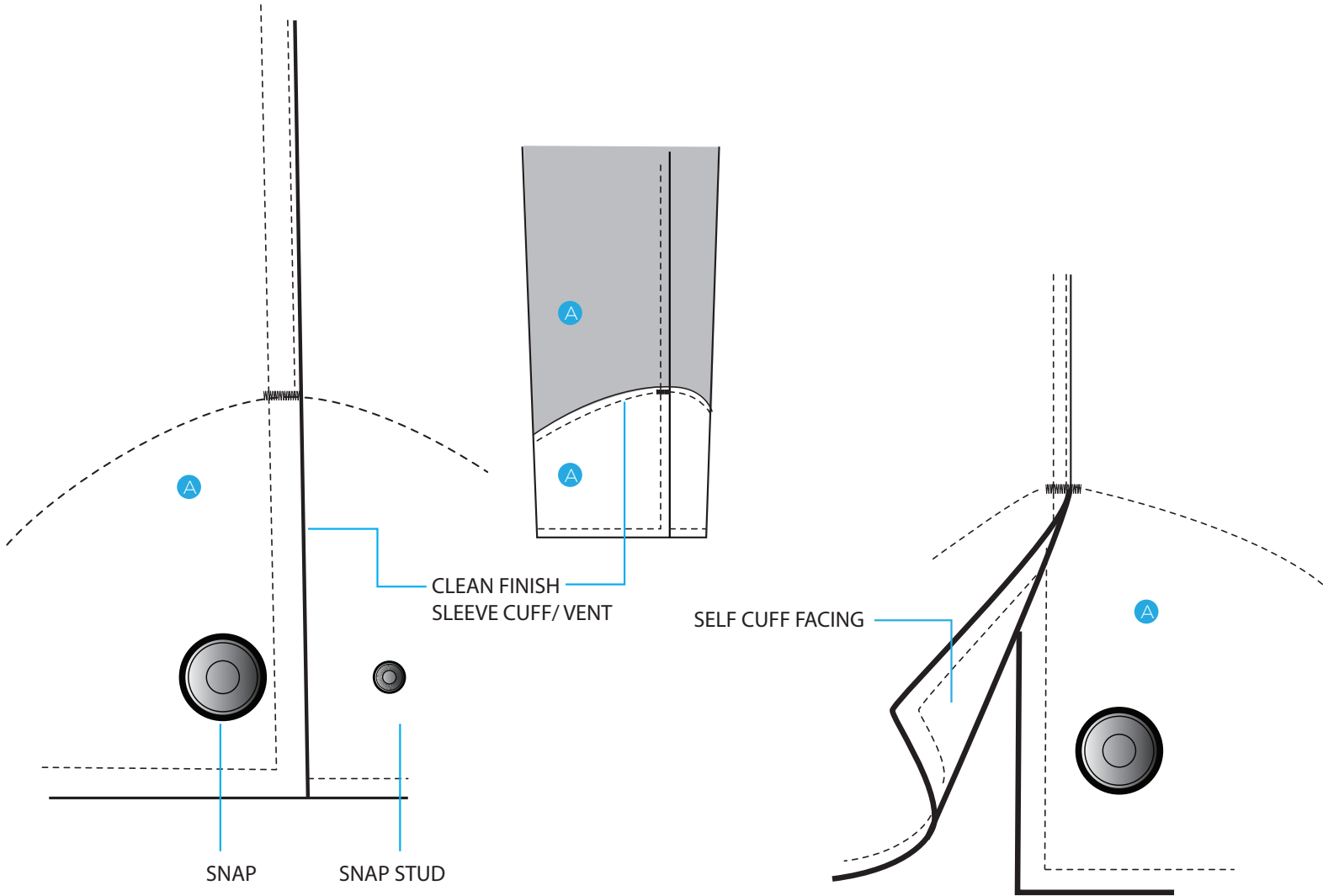
(WEARER'S RIGHT)



**Fabric**

- A** Shell A: WASHED HERRINGBONE
- B** Shell B: QUILTED WASHED HERRINGBONE
- C** Shell C: SHERPA
- D** Shell D: Leather Binding
- E** E: Blanket Flannel

**ALL SEAMS SEAMS ARE BOUND AND DOUBLE NEEDLE TOPSTITCHED UNLESS NOTED**



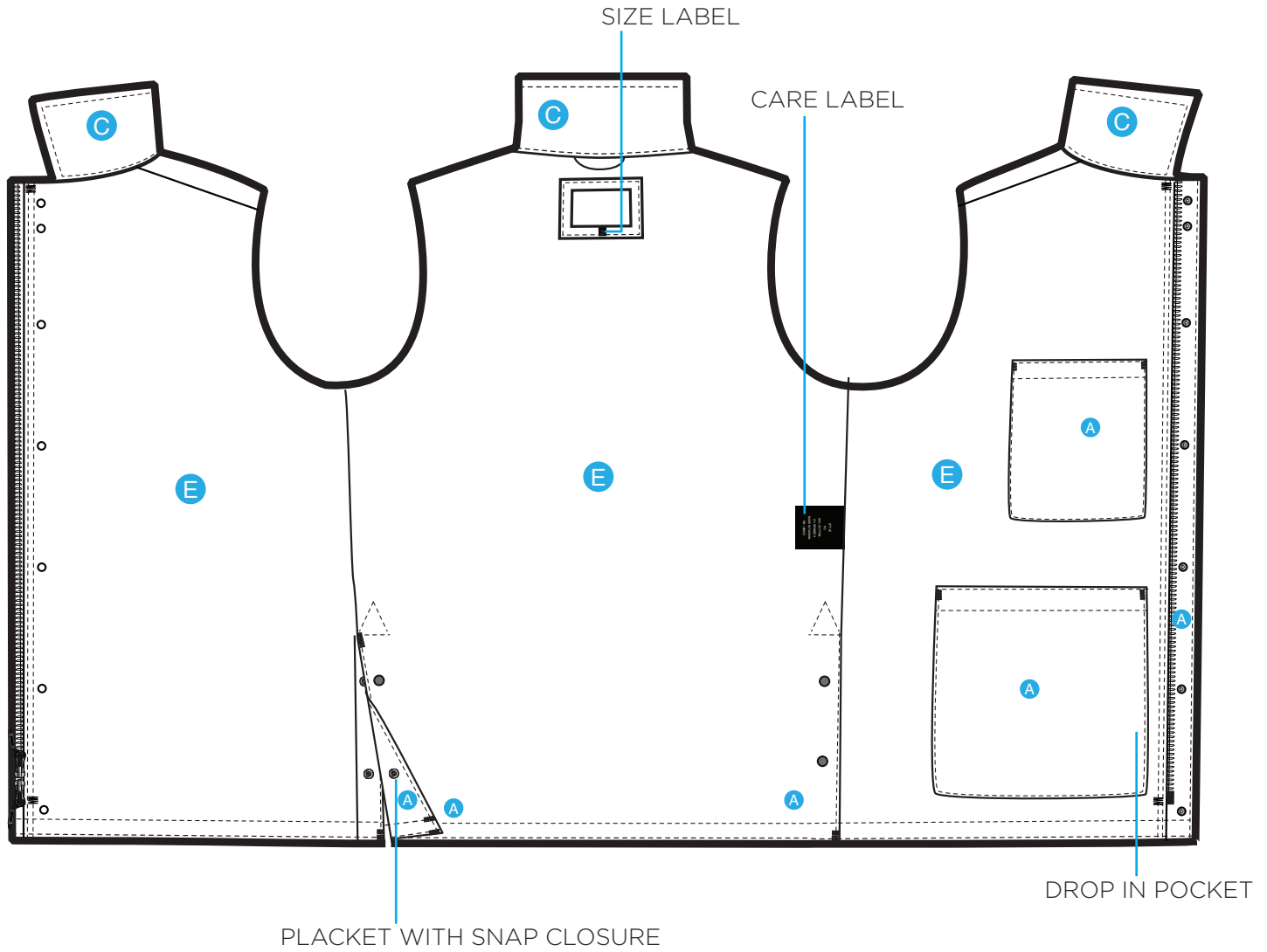
**Fabric**

- A** Shell A: WASHED HERRINGBONE
- B** Shell B: QUILTED WASHED HERRINGBONE
- C** Shell C: SHERPA
- D** Shell D: Leather Binding
- E** E: Blanket Flannel

**ALL SEAMS SEAMS ARE BOUND AND DOUBLE NEEDLE TOPSTITCHED UNLESS NOTED**



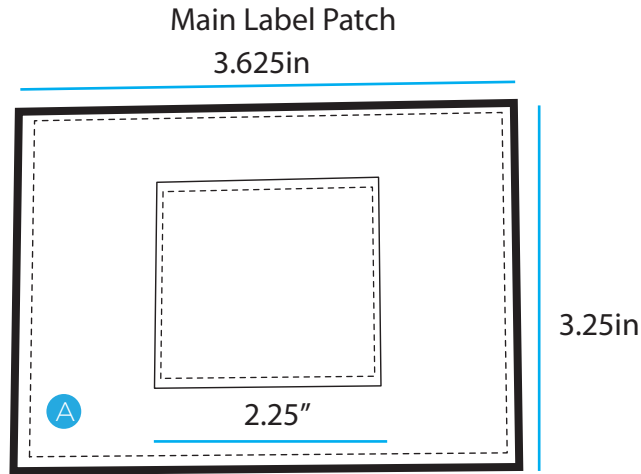
ALL SEAMS ARE BOUND WITH SHELL B **B**



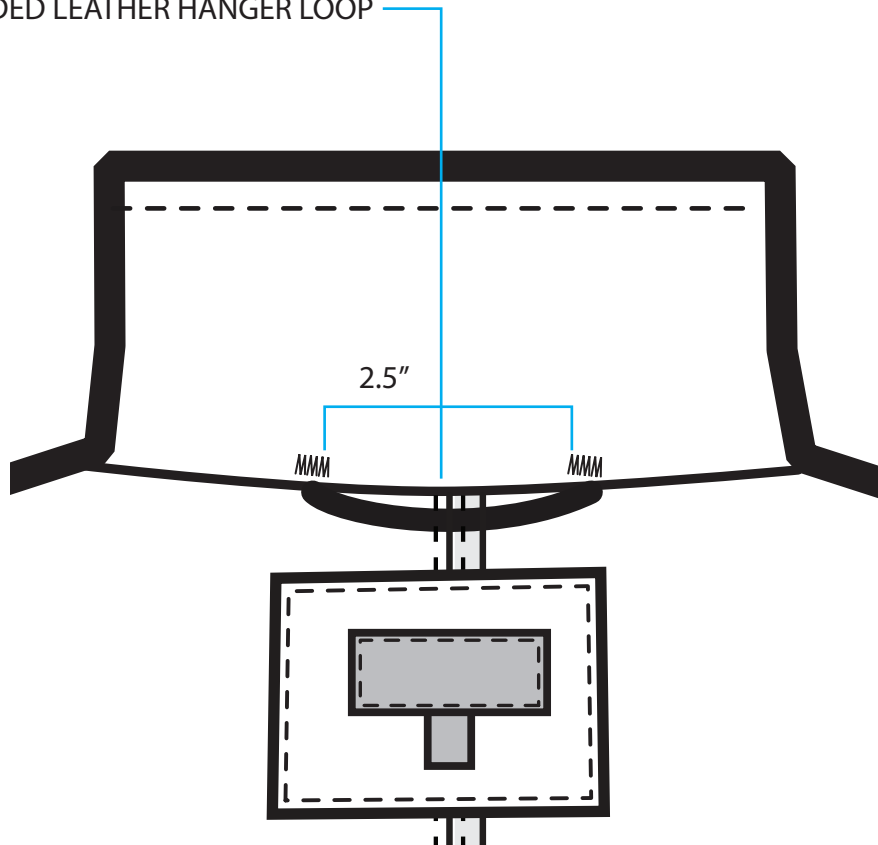
**Fabric**

- A** Shell A: WASHED HERRINGBONE
- B** Shell B: QUILTED WASHED HERRINGBONE
- C** Shell C: SHERPA
- D** Shell D: Leather Binding
- E** E: Blanket Flannel

**ALL SEAMS SEAMS ARE BOUND AND DOUBLE NEEDLE TOPSTITCHED UNLESS NOTED**



BRAIDED LEATHER HANGER LOOP



Fabric

- A Shell A: WASHED HERRINGBONE
- B Shell B: QUILTED WASHED HERRINGBONE
- C Shell C: SHERPA
- D Shell D: Leather Binding
- E E: Blanket Flannel

**ALL SEAMS SEAMS ARE BOUND AND DOUBLE NEEDLE TOPSTITCHED UNLESS NOTED**

# BRANDING ARTWORK

**STYLE:** BRHO24010

**BLOCK REF:**

**STYLE NAME:** OGDEN QUILTED HERRINGBONE JKT

**REVISED DATE:** 10/25/23

EMBROIDERY

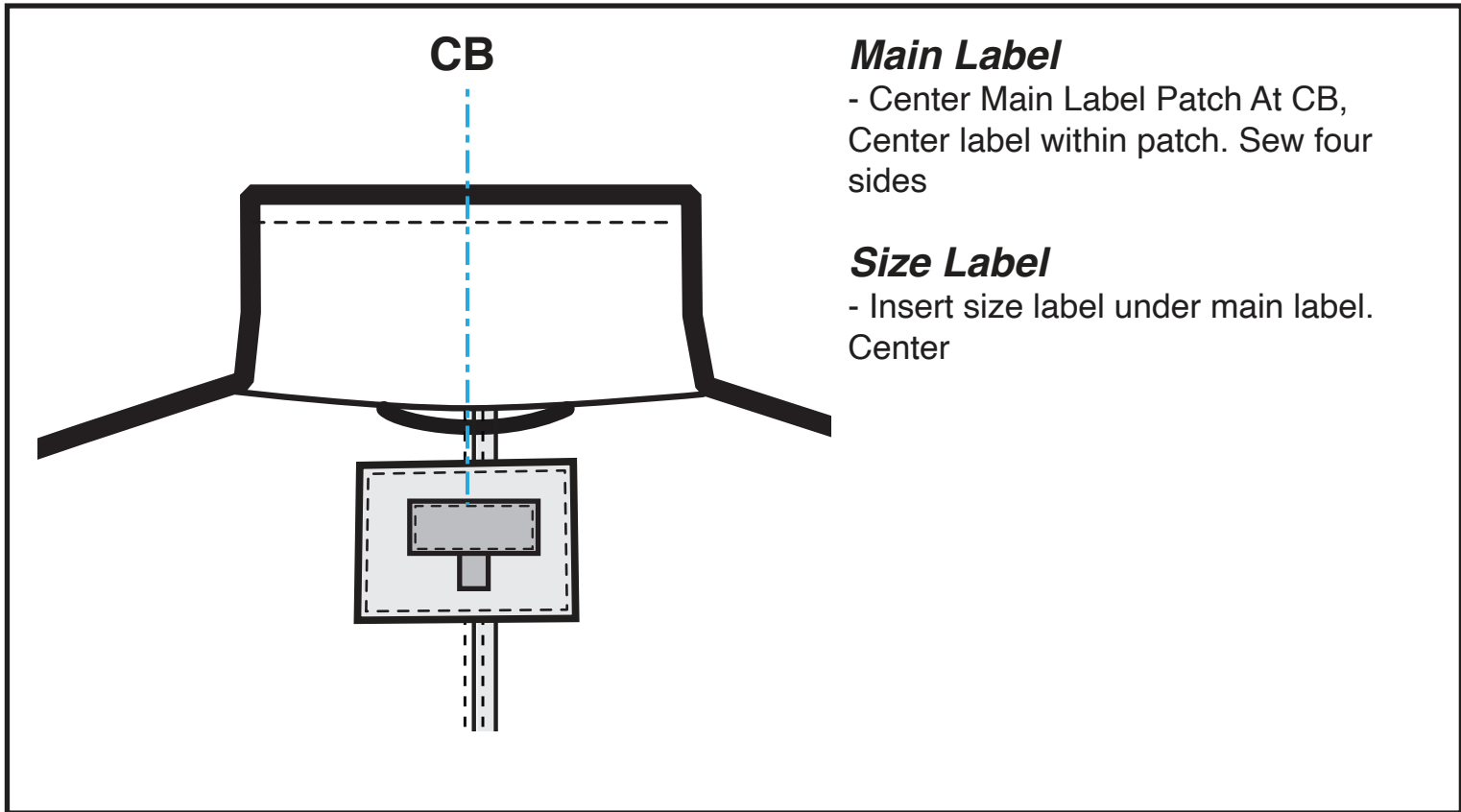
DIMENSIONS: .625" X .625"

BRAIDED LEATHER CORD

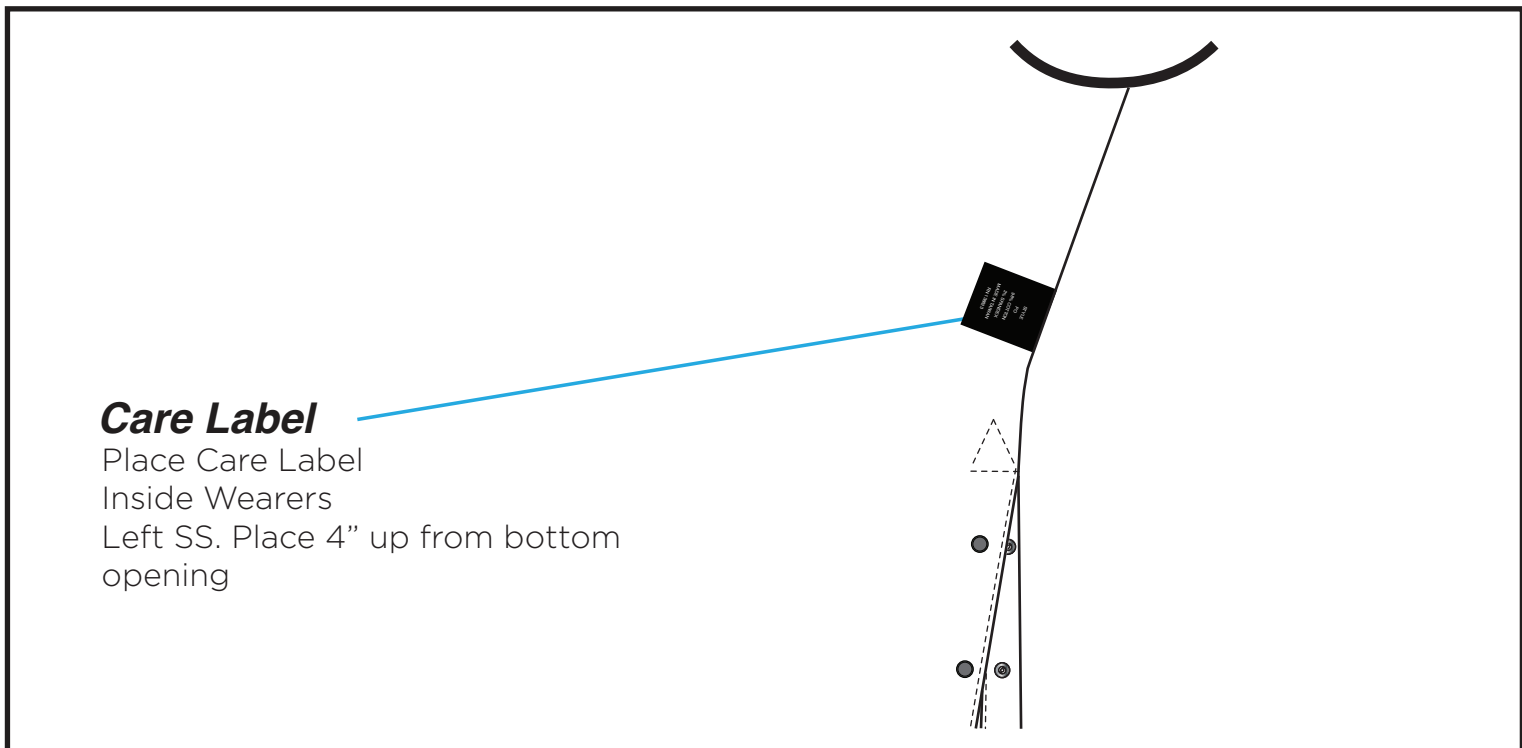
2 MM



## Inside Back Neck



## Inside Wearers Left







# REVISION HISTORY

**STYLE:** BRHO24O10

**BLOCK REF:**

**STYLE NAME:** OGDEN QUILTED HERRINGBONE JKT

**REVISED DATE:** 10/25/23